

DIGITAL TEMPERATURE SENSORS STPT

Temperature sensors series on PT100 basis with digital output, are provide with easy connection that can be applied directly on the measuring instruments and PLC.

The sensors are designed to be used in extreme environments and harsh conditions.

Operational working temperature	-40 ÷ 85°C
Relative humidity	Fino 80%
Protection	IP65
Corrosion resistance	304SS
Measurement range	-200 ÷ 200°C
Accuracy	≤ ± 0.5% Fondo scala
Power	24Vdc (19,5 ÷ 28Vdc)
Shock levels	30g 20ms

It is possible to realize different customizations in order to realize the product to every type of control needed.

Configuration and possible customizing



Configurable output type:	4..20mA	[O1]
Table 1	RS485	[O2]
	0-10V	[O3]
	0-5V	[O4]

← Output [Ox]

Measurement range [Rx] ←

Reading temperature range:	0÷100°C	[R1]
Table 2	-50÷100°C	[R2]
	-50÷200°C	[R3]
	-100÷100°C	[R4]
	-200÷200°C	[R5]
	Customized	[RP]

Reading temperature type:

Probe diameter:	6 mm	[D1]
Table 3	8 mm	[D2]
	12 mm	[D3]
	16 mm	[D4]

← Probe [Dx]

Thread [Fx] ←

Hooking thread:	G1/8	[F1]
Table 4	G1/4	[F2]
	G1/2	[F3]
	M20	[F4]
	Customized	[FP]

Electrical connection:	Cable connector connectorM12 (4 pin)	[T1]
Table 5	Cable angled connector DIN43650	[T2]
	No connector, cable only (length 1 mt)	[T3]

← Connection [Tx]

Product code composition, to realize following the options indicated in the tables of the previous page:

STPT100 - [Ox] - [Rx] - [Dx] - [Fx] - [Tx] - MM

“MM” option is the probe length in mm (millimeters). If not specified, it is 13mm.

P/N example:

STPT100-O2-R2-D2-F3-T1-20

it is the sensor with:

output [see **Table 1**] -> RS485

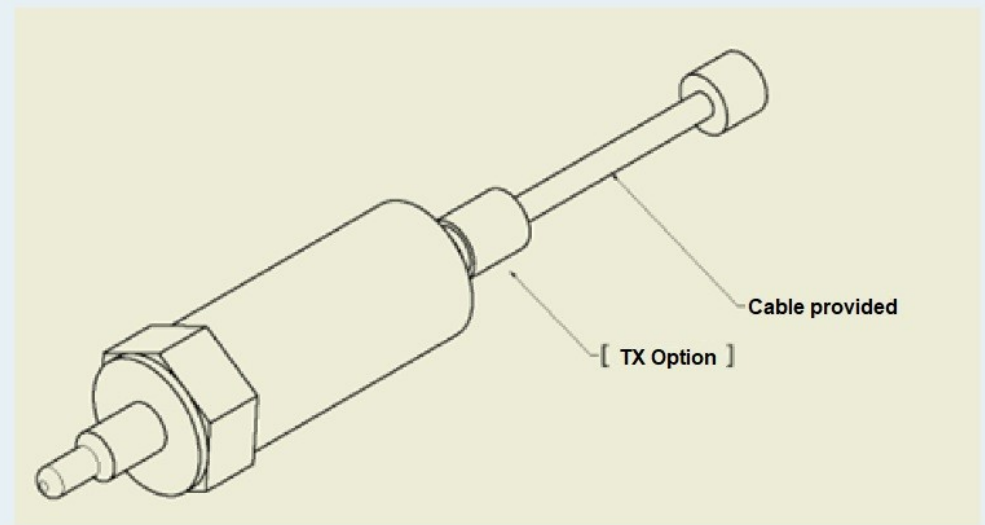
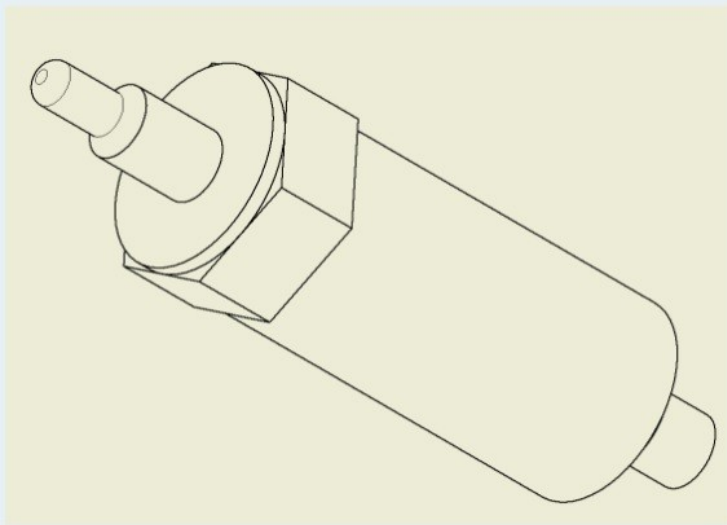
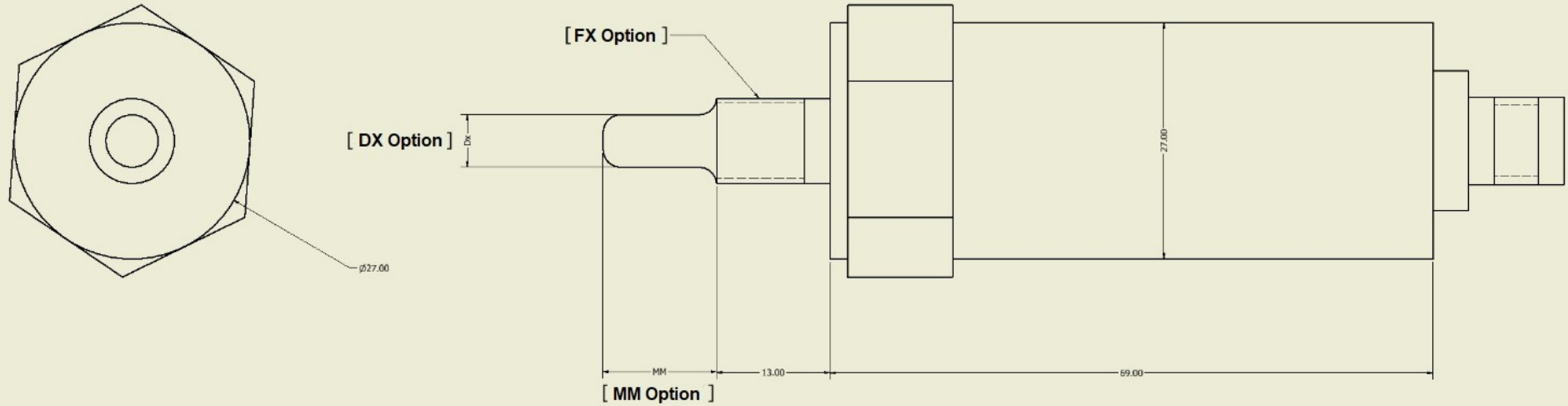
measuring range [see **Table 2**] -> -50÷100°C

probe diameter [see **Table 3**] -> 8 mm

thread [see **Table 4**] -> G1/2

termination [see **Table 5**] -> connector M12

probe length -> 20mm



All the dimension are in mm (millimeters)

Cable connector connection

Output type :	PIN 1	PIN 2	PIN 3	PIN 4
4..20mA	VCC			OUT
0-5V / 0-10V	VCC	OUT	GND	
RS485	VCC	GND	RS485 A	RS 485 B

Table 6

It is provided a cable.

The connector type of the cable is identified with [Tx] option.

Note

It is reserved the right to make technical changes or modify the content of this document without prior notice. E2M assumes no responsibility for any errors or possible lack of information contained in this document.

Rev. Doc. 4 dated 25-09-2024

Contact:

www.energytomotion.com

Technical info:

info@energytomotion.com

tec_info@energytomotion.com

Commercial info:

sales@energytomotion.com



Energy To Motion is UNI EN ISO 9001:2008 certified

