

PWM BLOWER CONTROL

Multipurpose box for variable frequency PWM control.

PWM Controller, thanks to its various configuration, allows to:

- ◆ Control up to 8 PWM signals
- ◆ Realize up to 4 different alarms types

It can be used to detect fans functions that have a PWM type control signal.

The controller is equipped with opto-isolated outputs.

Each entrance is equipped with internal pull-up.

It is possible to choose between the DC (5-30Vdc) or AC (230Vac) powered version.

Terminal TB-A	Function
1	POSITIVE POWER
2	NEGATIVE POWER
3	ALARM 1 IN
4	ALARM 1 OUT
5	ALARM 2 IN
6	ALARM 2 OUT
7	ALARM 3 IN
8	ALARM 3 OUT
9	ALARM 4 IN
10	ALARM 4 OUT

DC POWER CONNECTION VERSION

PWM BLOWER CONTROL is equipped with two terminal blocks that make the following connections:

Terminal TB-B	Function
11	PWM 1
12	PWM 2
13	PWM 3
14	PWM 4
15	PWM 5
16	PWM 6
17	PWM 7
18	PWM 8
19	RX TTL (optional)
20	TX TTL (optional)

Table features

Features	
Power	5-36Vdc
Absorption	12W
Max controllable output current	250mA
Output controllable voltage range	5-30Vdc
Max detectable PWM input frequency	50kHz
Storage temperature	-40°C ...+90°C
Working temperature	-40°C ...+90°C
Finishing	Red aluminum
Connection	Screw terminal block
Shock levels	IEC 60068-2-27 EN 60068-2-27 More than 30g

Terminal TB-A	Function
1	230Vac (phase)
2	230Vac (neutral)
3	ALARM 1 IN
4	ALARM 1 OUT
5	ALARM 2 IN
6	ALARM 2 OUT
7	ALARM 3 IN
8	ALARM 3 OUT
9	ALARM 4 IN
10	ALARM 4 OUT

AC POWER CONNECTION VERSION

PWM BLOWER CONTROL is equipped with two terminal blocks that make the following connections:

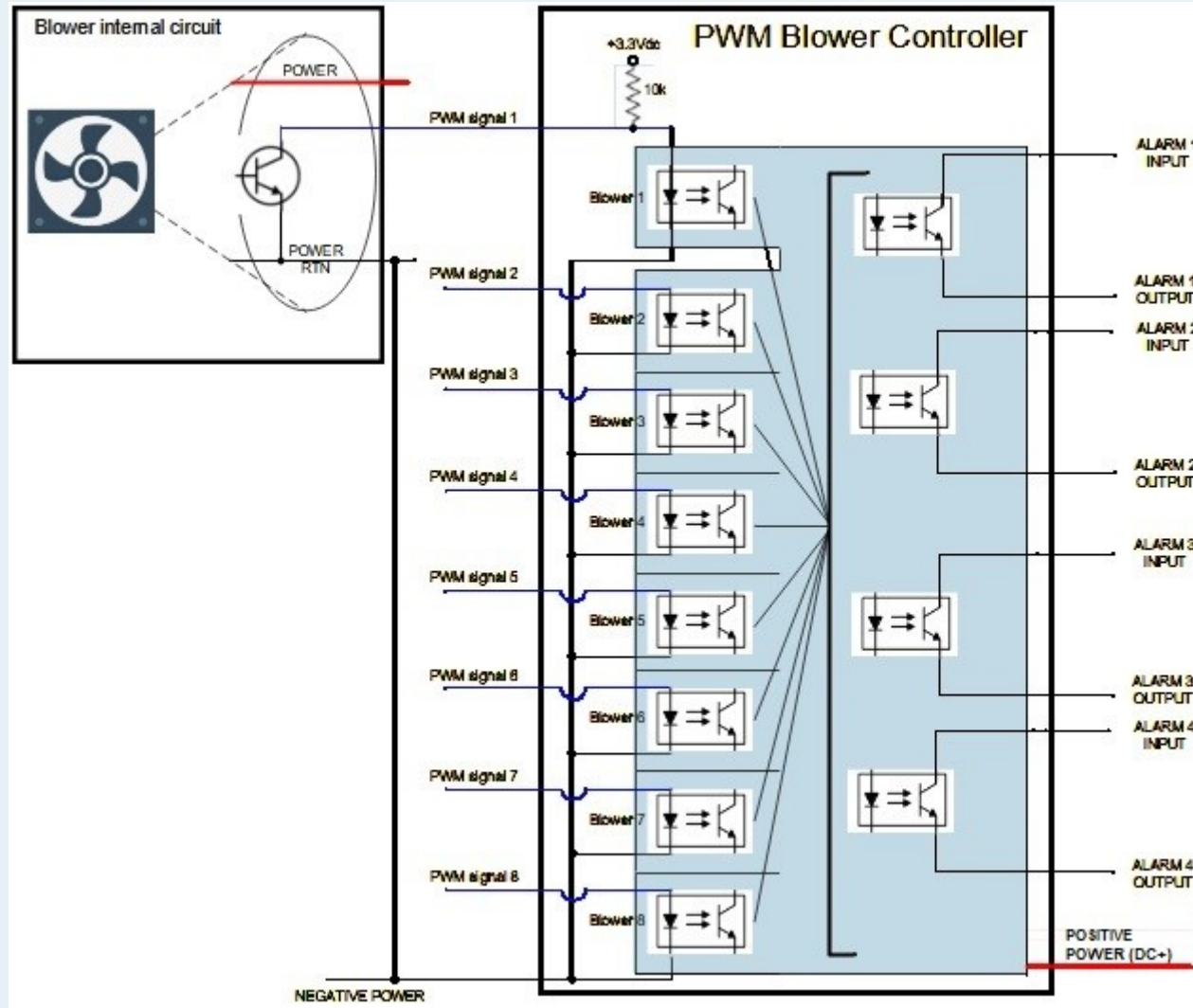
Terminal TB-B	Function
11	PWM 1
12	PWM 2
13	PWM 3
14	PWM 4
15	PWM 5
16	PWM 6
17	PWM 7
18	PWM 8
19	Negative power
20	Spare

Table features

Features	
Power	230Vac +/-10%- 50Hz
Absorption	10W
Max controllable output current	250mA
Output controllable voltage range	5-30Vdc
Max detectable PWM input frequency	50kHz
Storage temperature	-40°C ...+90°C
Working temperature	-40°C ...+90°C
Finishing	Red aluminum
Connection	Screw terminal block
Shock levels	IEC 60068-2-27 EN 60068-2-27 More than 30g

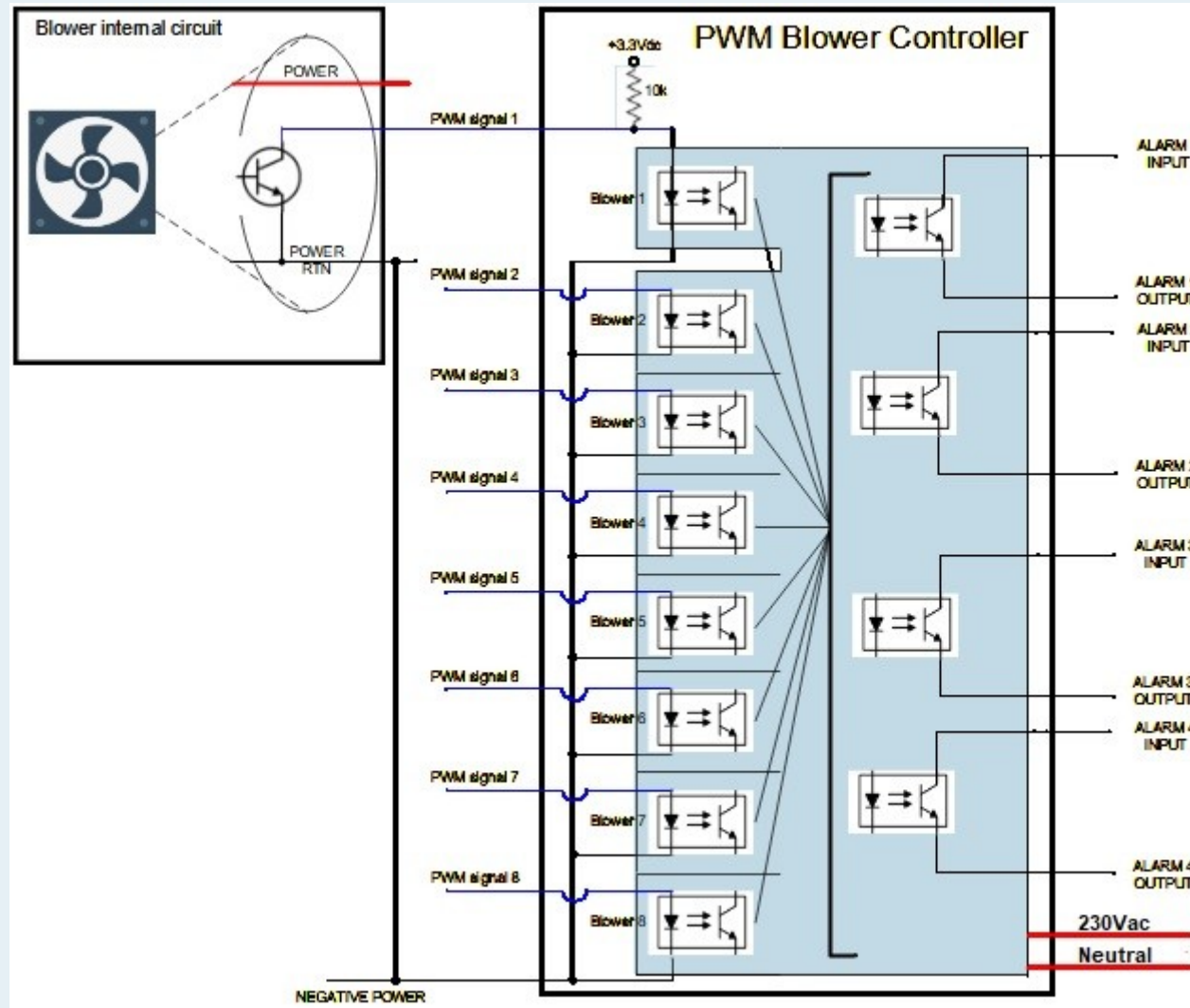
Functional scheme

Typical **DC POWER** connection between one or more blowers and the controller.

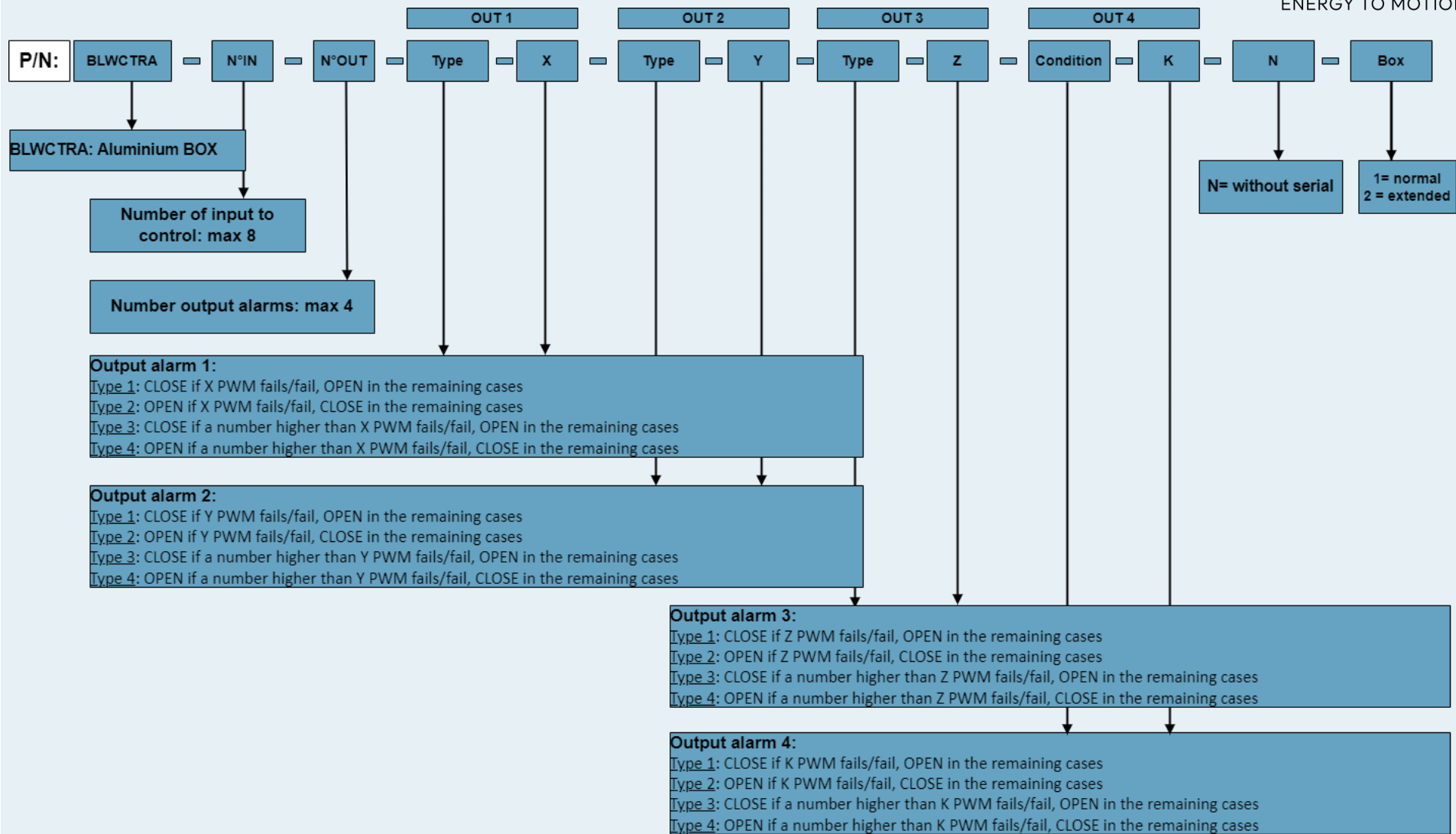


Functional scheme

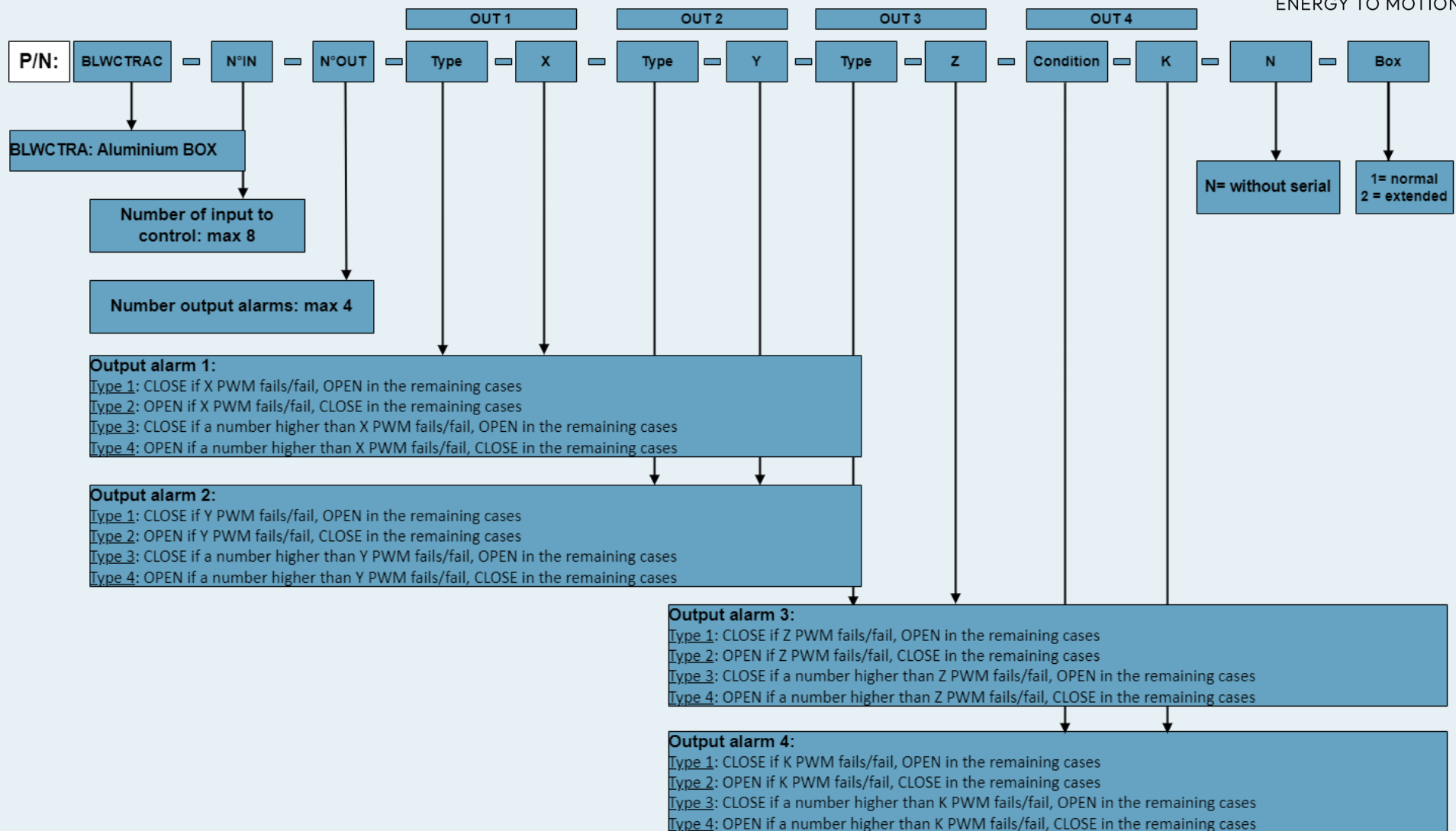
Typical **AC POWER** connection between one or more blowers and the controller.



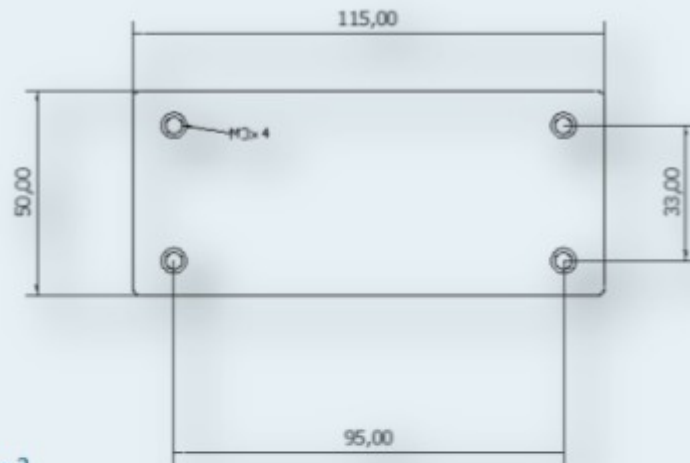
Part Number – DC power version



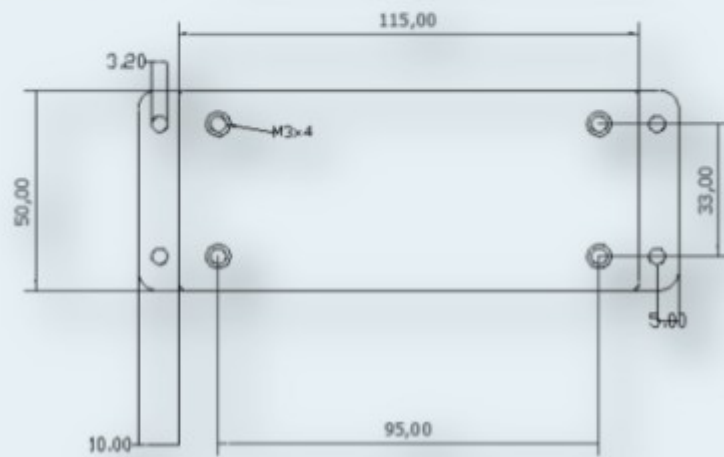
Part Number – AC power version



Box Type 1



Box Type 2



Note

It is reserved the right to make technical changes or modify the content of this document without prior notice. E2M assumes no responsibility for any errors or possible lack of information contained in this document.

Rev. Doc. 5 dated 22-09-2023

Contact:

www.energytomotion.com

Technical info:

info@energytomotion.com

tec_info@energytomotion.com

Commercial info:

sales@energytomotion.com



Energy To Motion is UNI EN ISO 9001:2008 certified

